

EB-Therm 100

E 85 816 62 / SSTL 35 304 71

MONTERINGSANVISNING / INSTALLATION INSTRUCTIONS
MANUAL DE INSTALACIÓN / MANUEL D'INSTALLATION
ASSENNUSOHJEET / INSTRUKCJA MONTAZU I OBSLUGI



EBECO 

fig 1

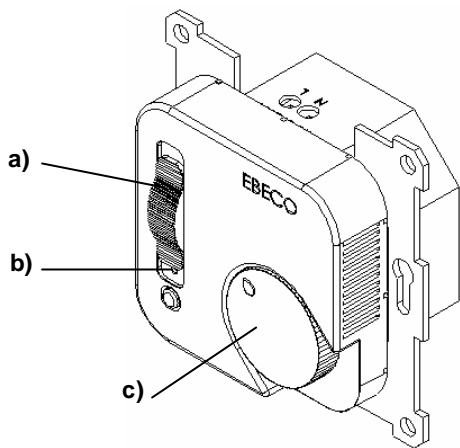


fig 2

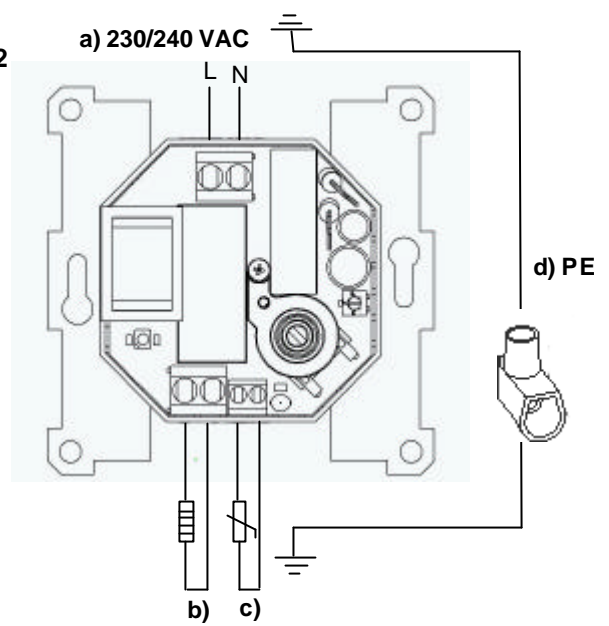


fig 3

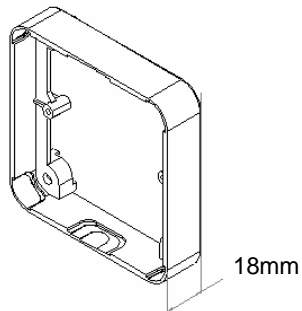


fig 4

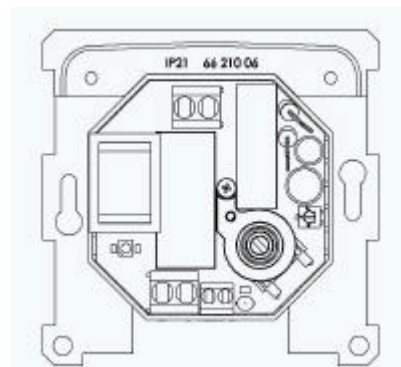
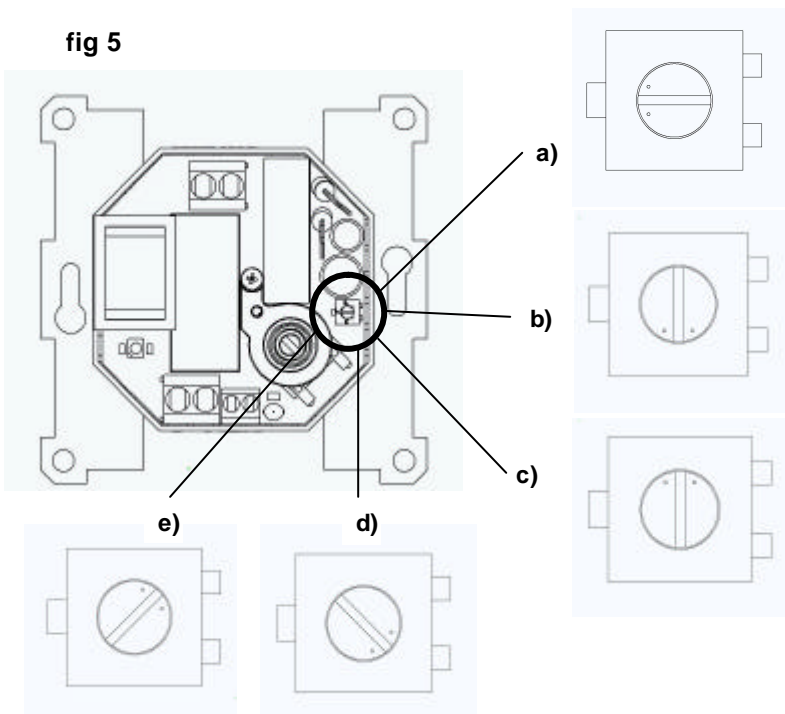


fig 5



Golvgivare/Floor sensor (NTC)

Temp (°C)	Value (kOhm)
10°C	19,9 kOhm
15°C	15,7 kOhm
20°C	12,5 kOhm
25°C	10,0 kOhm
30°C	8,0 kOhm

Description EB-Therm 100 D

EB-Therm 100 is an electronic thermostat developed for optimal regulation of underfloor heating systems. The thermostat controls the heating in 3 ways. You can choose between room thermostat, floor thermostat or room thermostat with overheat protection in the floor. EB-Therm 100 is supplied with a front cover and frame suitable for the Eljo Trend wall box system. An extra front cover suitable for Elko RS is also included. EB-Therm is approved for installation in wet rooms, SEMKO-certified and CE-marked. The thermostat is designed for flush or surface mounting. The front panel is fitted with a double-pole switch (Fig 1a) and a dual-function LED (Fig 1b). The temperature setting can be locked on the underside of the knob (Fig 1c). The thermostat has built-in auto-calibration of temperature sensors and fault monitoring of floor sensors. If the floor sensor is damaged or goes open-circuit, the thermostat contact opens and the LED starts to flash (twice a second). The floor sensor can be replaced. If the room sensor becomes faulty, the thermostat must be replaced.

Installation

Flush mounting EB-Therm mounts in a standard 65 mm wall box. The location should be chosen so that the thermostat is protected from direct sunlight and draughts. The sensor must be installed in a protective tube in the floor. The end of the tube must be sealed. All incoming pipes and ducts must be sealed so that the temperature sensor is not affected by draughts.

1. Make sure that the wall box is flush with the wall.
2. Remove the setting knob. Loosen the screw. Remove the front cover and the frame.
3. Connect the 230 VAC electric power supply (Fig 2a), the load (Fig 2b) and the sensor cable (Fig 2c). If the sensor cable needs to be extended, heavy-current cable must be used. The protective earth (PE) (Fig 2d) is connected past the thermostat via a terminal block.
4. Place the thermostat in the wall box and secure it with the screws provided.
5. Refit the frame, front cover and setting knob.

Mounting with extension frame Extension frame E 85 816 68, see Fig 3.

1. Fix the extension frame to the wall with screws.
2. Install the thermostat as described above.

Wet room installation Use the IP 21 rated gasket E 66 210 06 as shown in Fig 4.

Setting

The EB-Therm 100 can provide three distinct functions.

- **Room and floor thermostat** – The thermostat regulates the room temperature by means of the built-in sensor. We recommend this setting for wood floors. The external floor sensor operates as a temperature limiter. The setting as shown in Fig 5a of approx. 27°C applies to wooden floors.
- **Floor thermostat (preset at the factory)** - The thermostat regulates the floor temperature by means of the floor sensor. Setting as shown in Fig 5d (maximal turning to the left).
- **Room thermostat** – The thermostat regulates the room temperature by means of the built-in sensor. Setting as shown in Fig 5e (maximal turning to the right).

In function mode A the external temperature limiter is normally not changed, but it can be adjusted on the potentiometer, with a small screwdriver. Overheat protection can be regulated from 15°C (Fig 5b) to 39 °C (Fig 5c). The room temperature is set with the setting knob (Fig 1c). In function modes B and C, only the temperature setting knob is used to set the floor- or roomtemperature (Fig 1c). Normal setting is between 3 and 4. It may take up to 15 min from connecting the thermostat until the temperature sensors are calibrated.

After a few days, when the temperature has stabilized, it may be advisable to adjust the thermostat setting. After the final calibration, the room temperature setting can be locked by moving the two pins under the setting knob.

Technical data – EB-Therm 100		EB-Therm 100 with accessories		
Voltage	230 V AC ±10% 50 Hz	Art. no.	Article	Dimensions (mm)
Air temperature range	+5 °C to +45 °C	E 85 816 62	EB-Therm 100	81x81x40
Floor temperature range	+5 °C to +45 °C	E 85 816 68	Extension frame	81x81x18
Temperature limiter	+15 °C till +39 °C	E 85 816 71	Sensor cable 3 m ¹⁾ *	
Load relay	250 V 12 A 2700 W	66 210 27	Front cover for Eljo Trend*	
Main switch	double-pole	66 210 30	Front cover for Eljo RS*	
Load	power factor = 0.3 max	66 210 06	IP21 gasket*	
Hysteresis	±0.5 degC	66 210 54	Frame for Eljo Trend*	
Ambient temperature	0 °C to +60 °C	66 210 56	Frame for Strömfors*	
Housing	IP21	14 408 80	Terminal*	
Colour	Polar white			
<u>Indication</u>		1) Max length of sensor cable – 50 m, 2x1.5mm ²		
230 V supply connected	Green LED	* Included in the packing		
Heating cable operating	Red LED			
Suitable for Eljo Trend, Elko RS, Strömfors and Merten frame systems.				
EMC certified. Withstands a surge of 2500 V AC.				